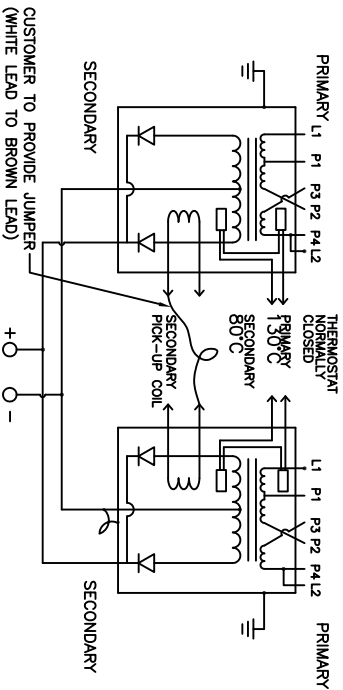
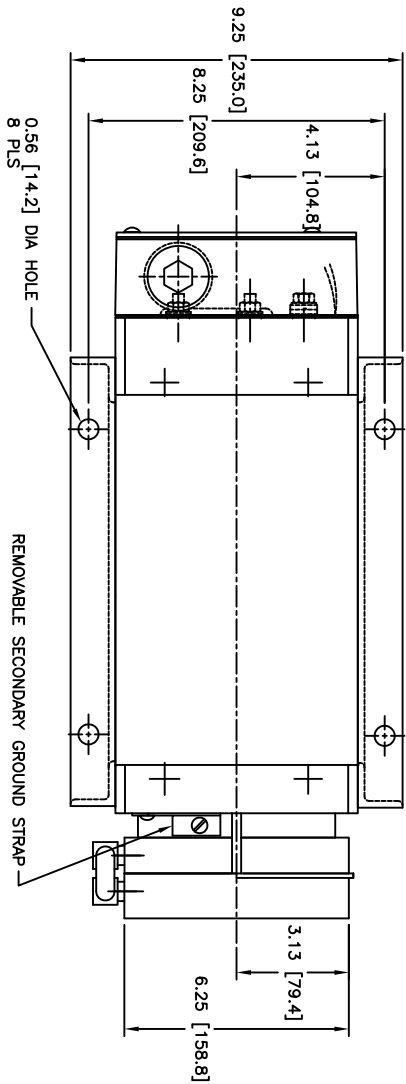


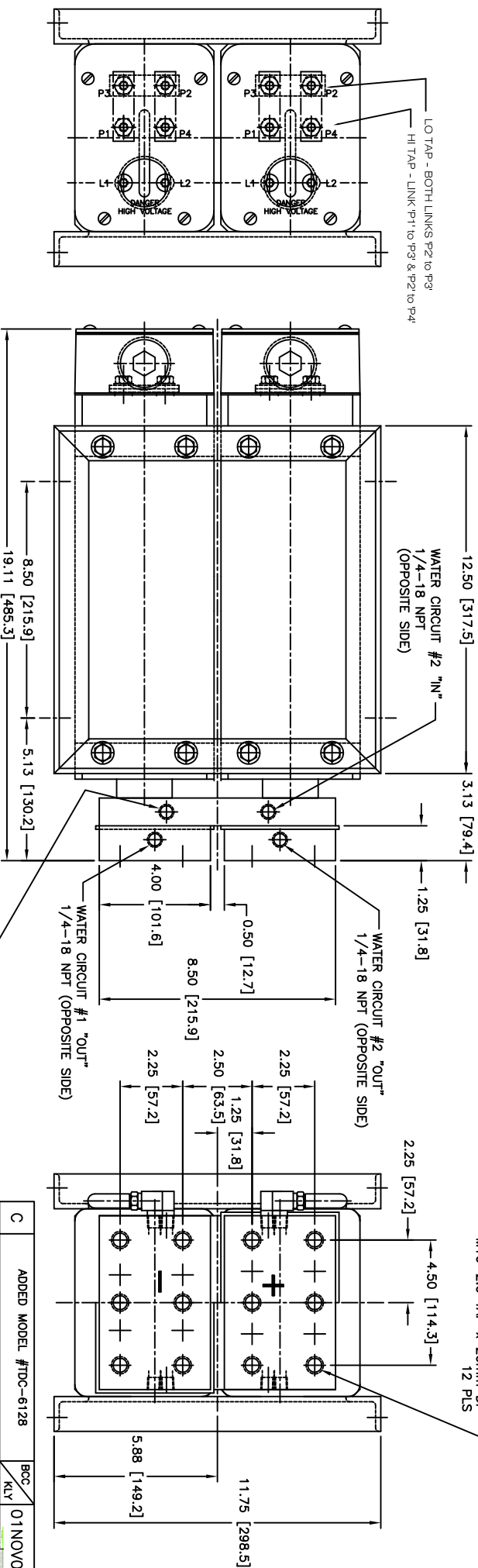
COOLING REQUIREMENTS: 7.5 LPM @ 30°C PER CURCUIT
15 LPM TOTAL

KVA ● 50% DC	MODEL NUMBER	PRIMARY VOLT/FREQ	SECONDARY VOLTAGE		TURNS RATIO		WEIGHT LBS	FLOW RATE LPM
			TAP 1	TAP 2	TAP 1	TAP 2		
320	TDC-5874	500V/1000HZ	9.0	13.1	55:1	38:1	190	15
320	TDC-5876	650V/1000HZ	9.0	13.0	72:1	50:1	190	15
320	TDC-6128	800V/1000HZ	9.1	13.1	88:1	61:1	190	15



TRANSFORMER CASE MUST BE GROUNDED.
TRANSFORMER WILL BE SHIPPED WITH A JUMPER
CONNECTING SECONDARY CENTER TAP TO CASE.
USER MUST PROVIDE APPROPRIATE GROUNDING
OF SECONDARY CIRCUIT. FOR APPLICATIONS
ABOVE A 20% DUTY CYCLE, CONTACT ROMAN
MANUFACTURING FOR ASSISTANCE.

M16-2.0 TAP x 20mm DP
12 PLS



NOTE*
The secondary terminals of this device are intended as an electrical connection only. Applications must be designed to minimize any forces applied to the secondary terminals, this can be accomplished by transferring forces to a structural member.

RATING CURVE RC-5874
DIMENSIONS = INCH [MM]

D	ADDED SECONDARY GROUND STRAP & NOTE TO DRAWING	BCC KLY	04JAN10	PHYSICAL DRAWING	DRAWING NUMBER: 5874-1
C	ADDED MODEL #TDC-6128	BCC KLY	01NOV07		
REV	DESCRIPTION	DATE			
SCALE	NONE	DRAWN BY: RB			
DATE	03NOV06	WEIGHT:			
POWER SUPPLY					